

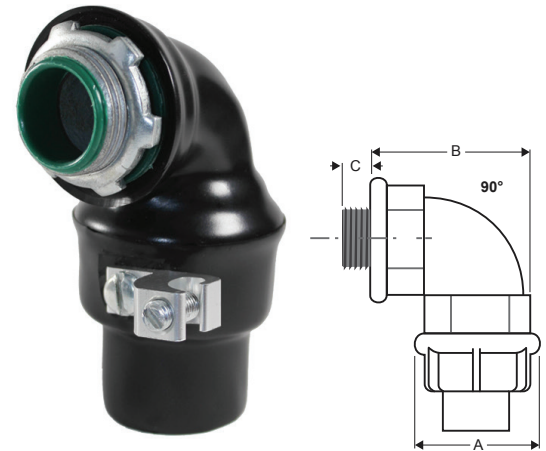
PVC COATED LIQUIDTIGHT CONNECTORS - 90° W/GROUND

Features:

- Exterior PVC coating thickness is a minimum 0.040"
- Sizes available are ½" to 4"
- The length of the sleeve extension(s) shall be at least equivalent to the nominal conduit size for sizes ½" - 2"
- For sizes 2½" - 4", the length of the sleeve extension(s) shall be at least 2"
- Available in straight, 45 degree or 90 degree body configurations

Applications:

Allied Tube & Conduit® PVC Coated Liquidtight Connectors are used with Liquidtight Conduit to terminate the conduit run.. The sleeve on the liquidtight connector is sized specifically to tighten around PVC conduit. Pulling compound is recommended for ease of installation. Fittings are provided with a flexible sleeve on the conduit side and a sealing form on both the box side and the mating part of the gland.



Standards:

- UL Standard 514B
- CSA Standard: C22.2 No. 18

90° w/Ground

Part Number	Trade Size (in)	A (in)	B (in)	C (in)	Ground Wire	Weight per 100 (lbs)
PV0300LT3890G	¾	1.24	1.80	0.56	14-8	30
PV0500LT5090G	½	1.46	2.10	0.56	14-8	30
PV0700LT7590G	¾	1.74	2.54	0.56	14-4	40
PV1000LT10090G	1	1.96	3.23	0.75	14-4	50
PV1200LT12590G	1¼	2.36	4.04	0.81	14-4	150
PV1500LT15090G	1½	2.80	4.48	0.81	14-4	120
PV2000LT20090G	2	3.33	5.48	0.88	14-4	200
PV2500LT25090G	2½	3.83	10.92	1.00	1/0-8	300
PV3000LT30090G	3	4.58	12.3	1.00	1/0-8	420
PV4000LT40090G	4	5.58	14.7	1.13	3/0-6	620

All dimensions are for informational purposes only *Tolerances +/- 5%

