

PVC COATED ALUMINUM LIQUIDTIGHT CONNECTORS - 90°

Features:

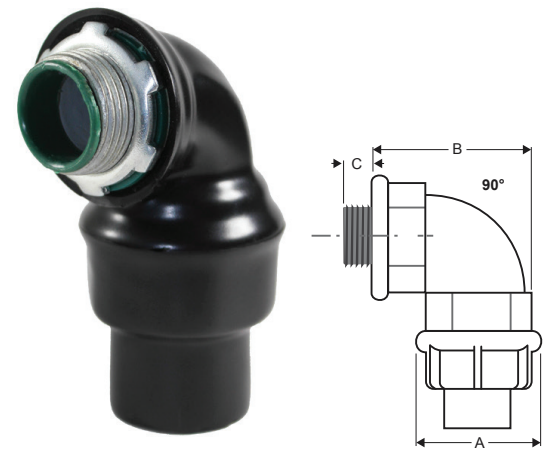
- Exterior PVC coating thickness is a minimum 0.040"
- Interior Urethane coating thickness is a minimum 0.002"
- Sizes available are ½" to 2"
- The length of the sleeve extension(s) shall be at least equivalent to the nominal conduit size for sizes ½"- 2"
- For sizes 2½"- 4", the length of the sleeve extension(s) shall be at least 2"
- Available in straight, 45 degree or 90 degree body configurations

Applications:

Calbond PVC Coated Liquidtight Connectors are used with Liquidtight Conduit to terminate the conduit run.. The sleeve on the liquidtight connector is sized specifically to tighten around PVC conduit. Pulling compound is recommended for ease of installation. Fittings are provided with a flexible sleeve on the conduit side and a sealing form on both the box side and the mating part of the gland

Standards:

- UL Standard 514B
- CSA Standard: C22.2 No. 18



90° Aluminum				
Part Number	Trade Size (in)	A (in)	B (in)	C (in)
PA0500LT5090SA	½	1.46	2.10	0.56
PA0700LT7590SA	¾	1.74	2.54	0.56
PA1000LT10090SA	1	1.96	3.23	0.75
PA1200LT12590SA	1¼	2.36	4.04	0.81
PA1500LT15090SA	1½	2.80	4.48	0.81
PA2000LT20090SA	2	3.33	5.48	0.88

All dimensions are for informational purposes only *Tolerances +/- 5%

