

PVC COATED CONDUIT BODIES - TB FORM 8

Features:

- Exterior PVC coating thickness is a minimum 0.040"
- Interior urethane coating thickness is a minimum 0.002"
- Specialized corrosion resistant coating provided on threads
- Sizes available are ½" to 2"
- Fittings are supplied with plastic encapsulated stainless steel screws

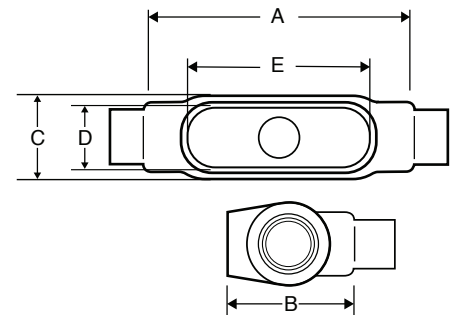
Applications:

Calbond offers the full line of Form 8 PVC Coated Conduit Bodies. All fittings are supplied with PVC coated cast iron covers. The sleeved threaded ends offer complete protection against corrosion while maintaining full ground continuity throughout the installed system.



Standards:

- UL Listed Standard 514B
- CSA Standard: C22.2 No. 18
- Verified NEMA 4X Rated



Part Number	Trade Size (in)	Metric Size (mm)	A (in)	B (in)	C (in)	D (in)	E (in)	Weight / 100 (lbs)
PV0500TB18	½	16	6.69	3.57	1.46	1.00	3.31	200
PV0700TB28	¾	21	7.78	3.79	1.64	1.19	3.94	230
PV1000TB38	1	27	9.31	4.17	1.83	1.38	4.56	310
PV1200TB48	1¼	35	11.00	4.38	2.27	1.75	5.31	520
PV1500TB58	1½	41	13.38	5.08	2.83	2.13	6.50	700
PV2000TB68	2	53	16.25	5.85	3.83	3.00	8.56	1100

All dimensions are for informational purposes only *Tolerances +/- 5%



For more info visit calbond.com