

# PVC COATED CONDUIT BODIES - TB FORM 7

## Features:

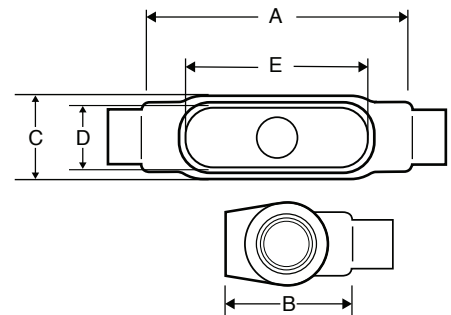
- Exterior PVC coating thickness is a minimum 0.040"
- Interior urethane coating thickness is a minimum 0.002"
- Specialized corrosion resistant coating provided on threads
- Sizes available are ½" to 2"
- Fittings are supplied with plastic encapsulated stainless steel screws

## Applications:

Calbond offers the full line of Form 7 PVC Coated Conduit Bodies. All fittings are supplied with PVC coated cast iron covers. The sleeved threaded ends offer complete protection against corrosion while maintaining full ground continuity throughout the installed system.

## Standards:

- UL Standard 514B
- CSA Standard: C22.2 No. 18



Part Number	Trade Size (in)	Metric Size (mm)	A (in)	B (in)	C (in)	D (in)	E (in)	Weight / 100 (lbs)
PV0500TB17	½	16	6.63	2.67	1.64	0.94	3.19	160
PV0700TB27	¾	21	7.75	2.92	1.83	1.13	3.81	210
PV1000TB37	1	27	9.25	3.29	2.08	1.38	4.50	270
PV1200TB47	1¼	35	9.94	3.35	2.27	1.75	5.00	370
PV1500TB57	1½	41	11.19	5.04	2.52	1.94	5.44	470
PV2000TB67	2	53	13.19	6.17	3.08	2.44	6.38	700

All dimensions are for informational purposes only \*Tolerances +/- 5%

