

PVC COATED SPECIAL RADIUS 90° ELBOWS

Features:

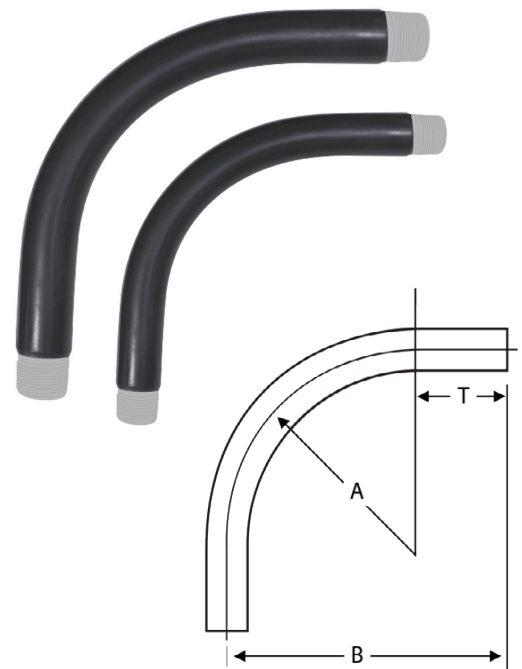
- Exterior PVC coating thickness is a minimum 0.040"
- Interior Urethane coating thickness is a minimum 0.002"
- Sizes available are 1/2" to 6"
- Available in 90, 60, 45, and 30 degree bends

Applications:

Calbond Coated Elbows are available in standard & special radius dimensions and in various degrees as required. All elbows are manufactured from Calbond PVC coated conduit and meet all applicable standards.

Standards:

- UL/CUL listed in accordance to UL6 & ANSI C80.1 Standards
- UL/cUL listed rigid ferrous metal conduit with polyvinyl chloride coating verified for PVC adhesion performance
- Complies with NEMA RN-1
- UL File Number E226472



Trade Size (in)	Radius															
	12 (in)			18 (in)			24 (in)			30 (in)						
Part Number	B (in)	T (in)	Wt (lbs)	Part Number	B (in)	T (in)	Wt (lbs)	Part Number	B (in)	T (in)	Wt (lbs)	Part Number	B (in)	T (in)	Wt (lbs)	
1/2	PV0512SW90	21	10	2.60	PV518SW90	28	11	3.6	PV0524SW90	35	11	4.1	PV530SW90	41	11	4.9
3/4	PV0712SW90	21	10	3.50	PV0718SW90	28	11	4.7	PV0724SW90	35	11	5.5	PV0730SW90	41	11	6.5
1	PV1012SW90	21	10	5.00	PV1018SW90	28	11	6.0	PV1024SW90	35	11	8.0	PV1030SW90	41	11	9.0
1 1/4	PV1212SW90	21	10	6.00	PV1218SW90	28	11	9.0	PV1224SW90	35	11	11.0	PV1230SW90	41	11	12.0
1 1/2	PV1512SW90	21	10	8.00	PV1518SW90	28	11	11.4	PV1524SW90	35	11	13.2	PV1530SW90	41	11	15.8
2					PV2018SW90	28	11	15.2	PV2024SW90	35	11	17.5	PV2030SW90	41	11	21.0
2 1/2					PV2518SW90	28	11	24.3	PV2524SW90	35	11	28.0	PV2530SW90	41	11	33.6
3					PV3518SW90	28	11	32.9	PV3024SW90	35	11	38.0	PV3030SW90	41	11	4.9
3 1/2					PV3518SW90	28	11	39.0	PV3524SW90	35	11	45.0	PV3530SW90	41	11	54.0
4									PV4024SW90	35	11	52.5	PV4030SW90	41	11	63.0

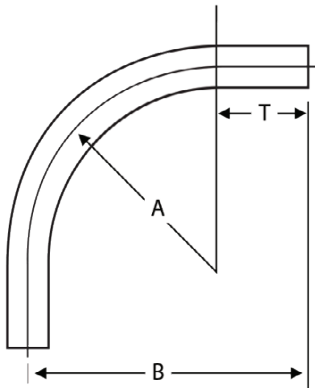
All dimensions are for informational purposes only *Tolerances +/- 5%



For more info visit calbond.com



PVC COATED SPECIAL RADIUS 90° ELBOWS



Trade Size (in)	Radius															
	36 (in)				42 (in)				48 (in)				60 (in)			
	Part Number	B (in)	T (in)	Wt (lbs)	Part Number	B (in)	T (in)	Wt (lbs)	Part Number	B (in)	T (in)	Wt (lbs)	Part Number	B (in)	T (in)	Wt (lbs)
½	PV0536SW90	47	11	5.5	PV0542SW90	64	12	6.2	PV0548SW90	60	12	6.9	PV560SW90	72	12	8.3
¾	PV0736SW90	47	11	7.3	PV0742SW90	64	12	8.2	PV0748SW90	60	12	9.1	PV0760SW90	72	12	11.0
1	PV1036SW90	47	11	10.0	PV1042SW90	64	12	12.0	PV1048SW90	60	12	13.0	PV1060SW90	72	12	15.0
1¼	PV1236SW90	47	11	14.0	PV1242SW90	64	12	16.0	PV1248SW90	60	12	18.0	PB1260SW90	72	12	22.0
1½	PV1536SW90	47	11	17.5	PV1542SW90	64	12	19.0	PV1548SW90	60	12	21.9	PV1560SW90	72	12	25.0
2	PV2036SW90	47	11	23.3	PV2042SW90	64	12	26.3	PV2048SW90	60	12	29.2	PV2060SW90	72	12	37.0
2½	PV2536SW90	47	11	37.3	PV542SW90	64	12	42.0	PV2548SW90	60	12	46.7	PV2560SW90	72	12	56.0
3	PV3036SW90	47	11	50.7	PV3042SW90	64	12	57.0	PV3048SW90	60	12	63.3	PV3060SW90	72	12	76.0
3½	PV3536SW90	47	11	60.0					PV3548SW90	60	12	75.0	PV3560SW90	72	12	90.0
4	PV4036SW90	47	11	70.0					PV4048SW90	60	12	87.5	PV4060SW90	72	12	105.0
5	PV5036SW90	47	11	93.3					PV5048SW90	60	12	116.7	PV5060SW90	72	12	140.0
6	PV6036SW90	47	11	123.3					PV6048SW90	60	12	156.0	PV6060SW90	72	12	185.0

All dimensions are for informational purposes only *Tolerances +/- 5%



For more info visit alliedeg.us

