

PVC COATED LIQUIDTIGHT CONNECTORS - 90°

Features:

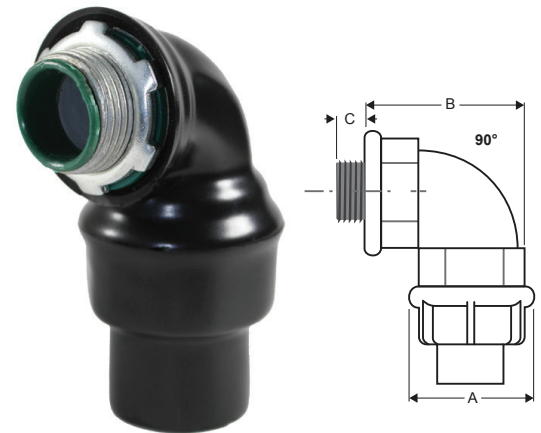
- Exterior PVC coating thickness is a minimum 0.040"
- Interior Urethane coating thickness is a minimum 0.002"
- Sizes available are ½" to 4"
- The length of the sleeve extension(s) shall be at least equivalent to the nominal conduit size for sizes ½"- 2"
- For sizes 2½"- 4", the length of the sleeve extension(s) shall be at least 2"
- Available in straight, 45 degree or 90 degree body configurations

Applications:

Calbond PVC Coated Liquidtight Connectors are used with Liquidtight Conduit. The sleeve on the liquidtight connector is sized specifically to tighten around PVC conduit. Pulling compound is recommended for ease of installation. Fittings are provided with a flexible sleeve on the conduit side and a sealing form on both the box side and the mating part of the gland.

Standards:

- UL Standard 514B
- CSA Standard: C22.2 No. 18



Part Number	Trade Size (in)	A (in)	B (in)	C (in)	Weight per 100 (lbs)
PV0300LT3890	¾	1.24	1.80	0.56	30
PV0500LT5090	½	1.46	2.10	0.56	30
PV0700LT7590	¾	1.74	2.54	0.56	40
PV1000LT10090	1	1.96	3.23	0.75	50
PV1200LT12590	1¼	2.36	4.04	0.81	150
PV1500LT15090	1½	2.80	4.48	0.81	120
PV2000LT20090	2	3.33	5.48	0.88	200
PV2500LT25090	2½	3.83	10.92	1.00	300
PV3000LT30090	3	4.58	12.3	1.00	420
PV4000LT40090	4	5.58	14.7	1.13	620

All dimensions are for informational purposes only *Tolerances +/- 5%



For more info visit calbond.com

