

PVC COATED GRC 90° STANDARD ELBOWS

Features:

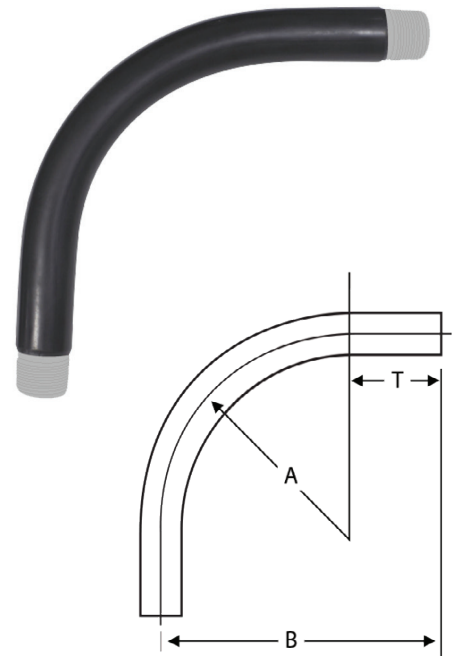
- Exterior PVC coating thickness is a minimum 0.040"
- Interior urethane coating thickness is a minimum 0.002"
- Specialized corrosion resistant coating provided on threads
- Sizes available are ½" to 6"
- Available in 90, 60, 45, and 30 degree bands

Applications:

Calbond PVC Coated GRC 90° Standard Elbows are available in standard & special radius dimensions and in various degrees as required. All elbows are manufactured from Calbond PVC coated conduit and meet all applicable standards.

Standards:

- UL/CUL listed in accordance to UL6 & ANSI C80.1 Standards
- UL/cUL listed rigid ferrous metal conduit with polyvinyl chloride coating verified for PVC adhesion performance
- Complies with NEMA RN-1
- UL File Number E226472



Part Number	Trade Size (in)	Metric Size (mm)	A Standard Radius (in)	B Offset (in)	T Tangent (in)	Weight per 100 (lbs)
PV0590EL00	½	16	4.250	6.000	1.700	70
PV0790EL00	¾	21	4.500	6.700	2.200	100
PV1090EL00	1	27	5.750	8.000	2.400	190
PV1290EL00	1¼	35	7.250	9.600	2.800	310
PV1590EL00	1½	41	8.250	10.600	2.600	400
PV2090EL00	2	53	9.500	12.000	3.500	640
PV2590EL00	2½	63	10.500	14.800	4.700	1210
PV3090EL00	3	78	13.000	17.000	5.300	1950
PV3590EL00	3½	91	15.000	20.900	6.100	2630
PV4090EL00	4	103	16.000	21.000	6.500	3280
PV5090EL00	5	129	24.000	32.000	11.200	6750
PV6090EL00	6	155	30.000	41.000	12.100	10510

All dimensions are for informational purposes only *Tolerances +/- 5%



For more info visit calbond.com

