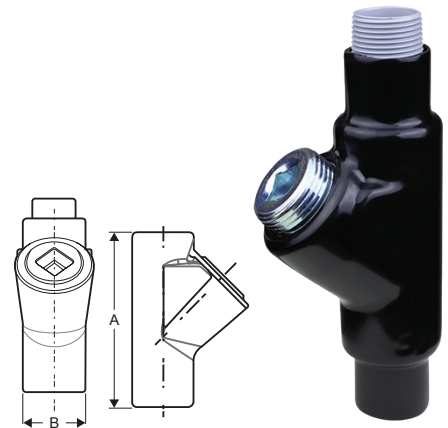


PVC COATED SEALING FITTINGS EYS MALE FEMALE HUBS

Features:

- Exterior PVC coating thickness is a minimum 0.040"
- Interior Urethane coating thickness is a minimum 0.002"
- Sizes available are 1/2" to 6"
- The length of the sleeve extension(s) shall be at least equivalent to the nominal conduit size for sizes 1/2"- 2". For sizes 2 1/2"- 6", the length of the sleeve extension(s) shall be at least 2".
- Sealing sleeve is provided on plug hub (patching compound recommended on top of plug)
- Mating sealing forms are provided on all caps
- Sealing sleeves on all conduit openings



Applications:

Calbond PVC Coated Sealing Fittings are used in hazardous locations to prevent flame and gas from continuing to travel through the conduit system. PVC coating provides corrosion protection. A sealing compound should be used on the interior after wiring. Compound supplied by the original fitting manufacturer.

Standards:

- NEC/CEC:
 - EYS1-3, 11-31, 16-36, 116-316 Class I, Division 1 & 2, Groups A, B, C, D Class III
 - EYS41-101, 416-1016 Class I, Division 1 & 2, Groups B, C, D Class III
 - EYS29, 4-014, 46-0146 EYS1-8, 16-86 Class I, Division 1 & 2, Groups C, D Class III
- UL Standard: 886
- CSA Standard: C22.2

Item Number	Trade Size (in)	Weight per 100 (lbs)	A (in)	B (in)	Turning Radius (in)
For Sealing in Vertical Positions ONLY					
PV0500EYS16	1/2	150	3.28	1.33	1.63
PV0700EYS26	3/4	150	3.75	1.58	1.91
PV1000EYS36	1	230	4.31	1.83	2.38
For Sealing in Vertical or Horizontal Positions					
PV1200EYS46	1 1/4	280	5.06	2.27	1.72
PV1500EYS56	1 1/2	370	5.5	2.52	2.06
PV2000EYS66	2	560	6.25	3.08	2.31
PV2500EYS76	2 1/2	1320	7.5	3.58	2.69
PV3000EYS86	3	1120	8.5	4.33	3.31
PV3500EYS96	3 1/2	1450	9.19	4.83	3.44
PV4000EYS106	4	150	9.75	5.33	3.69
PV5000EYS0126	5		11.06	6.5	4.59
PV6000EYS0146	6		12.13	7.625	5.344



PVC COATED SEALING FITTINGS EYS MALE FEMALE HUBS

Item Number	Trade Size (in)	Weight per 100 (lbs)	A (in)	B (in)	Turning Radius (in)
For Sealing in Vertical or Horizontal Positions					
PV0500EYS116	1½	100	3.69	1.33	1.16
PV0700EYS216	¾	120	3.69	1.58	1.25
PV1000EYS316	1	260	4.31	1.83	1.38
PV1200EYS416	1¼	300	5.06	2.27	1.72
PV1500EYS516	1½	380	5.5	2.52	2.06
PV2000EYS616	2	550	6.25	3.08	2.31
PV2500EYS716	2½		7.5	3.5	2.687
PV3000EYS816	3		8.5	4.25	3.313
PV3500EYS916	3½		9.188	4.75	3.437
PV4000EYS1016	4		9.75	5.25	3.687

