

# PVC COATED SEALING FITTINGS EYS FEMALE HUBS

## Features:

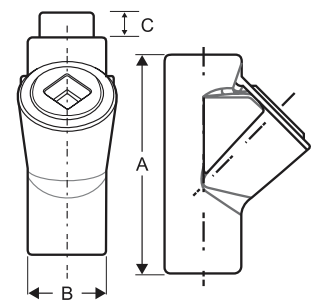
- Exterior PVC coating thickness is a minimum 0.040"
- Interior Urethane coating thickness is a minimum 0.002"
- Sizes available are 1/2" to 4"
- The length of the sleeve extension(s) shall be at least equivalent to the nominal conduit size for sizes 1/2"- 2". For sizes 2 1/2"- 4", the length of the sleeve extension(s) shall be at least 2".
- Sealing sleeve is provided on plug hub (patching compound recommended on top of plug)
- Mating sealing forms are provided on all caps
- Sealing sleeves on all conduit openings

## Applications:

Calbond PVC Coated Sealing Fittings are used in hazardous locations to prevent flame and gas from continuing to travel through the conduit system. PVC coating provides corrosion protection. A sealing compound should be used on the interior after wiring. Compound supplied by the original fitting manufacturer.

## Standards:

- NEC/CEC:
  - EYS1-3, 11-31, 16-36, 116-316 Class I, Division 1 & 2, Groups A, B, C, D Class III
  - EYS41-101, 416-1016 Class I, Division 1 & 2, Groups B, C, D Class III
  - EYS29, 4-014, 46-0146 EZS1-8, 16-86 Class I, Division 1 & 2, Groups C, D Class III
- UL Standard: 886
- CSA Standard: C22.2



# PVC COATED SEALING FITTINGS

## EYS FEMALE HUBS

Part Number	Trade Size (in)	Weight per 100 (lbs)	A (in)	B (in)	Turning Radius
<i>For Sealing in Vertical Positions ONLY</i>					
PV0500EYS1	½	100	3.28	1.33	1.63
PV0700EYS2	¾	150	3.75	1.58	1.91
PV1000EYS3	1	210	4.31	1.83	2.38
<i>For Sealing in Vertical or Horizontal Positions</i>					
PV1200EYS4	1 ¼	270	5.06	2.27	1.72
PV1500EYS5	1 ½	370	5.5	2.52	2.06
PV2000EYS6	2	470	6.25	3.08	2.31
PV2500EYS7	2 ½	1000	7.5	3.58	2.69
PV3000EYS8	3	1120	8.5	4.33	3.31
PV3500EYS9	3 ½	1450	9.19	4.83	3.44
PV4000EYS10	4	1600	9.75	5.33	3.69
PV5000EYS012	5		11.06	6.5	4.59
PV6000EYS014	6		12.13	7.625	5.344

Part Number	Trade Size (in)	Weight per 100 (lbs)	A (in)	B (in)	Turning Radius
<i>For Sealing in Vertical or Horizontal Positions</i>					
PV0500EYS11	1 ½	130	3.69	1.33	1.16
PV0700EYS21	¾	110	3.69	1.58	1.25
PV1000EYS31	1	220	4.31	1.83	1.38
PV1200EYS41	1 ¼	300	5.06	2.27	1.72
PV1500EYS51	1 ½	380	5.5	2.52	2.06
PV2000EYS61	2	550	6.25	3.08	2.31
PV2500EYS71	2 ½		7.5	3.5	2.687
PV3000EYS81	3		8.5	4.25	3.313
PV3500EYS91	3 ½		9.188	4.75	3.437
PV4000EYS101	4		9.75	5.25	3.687

